

Antenna Protection Solutions



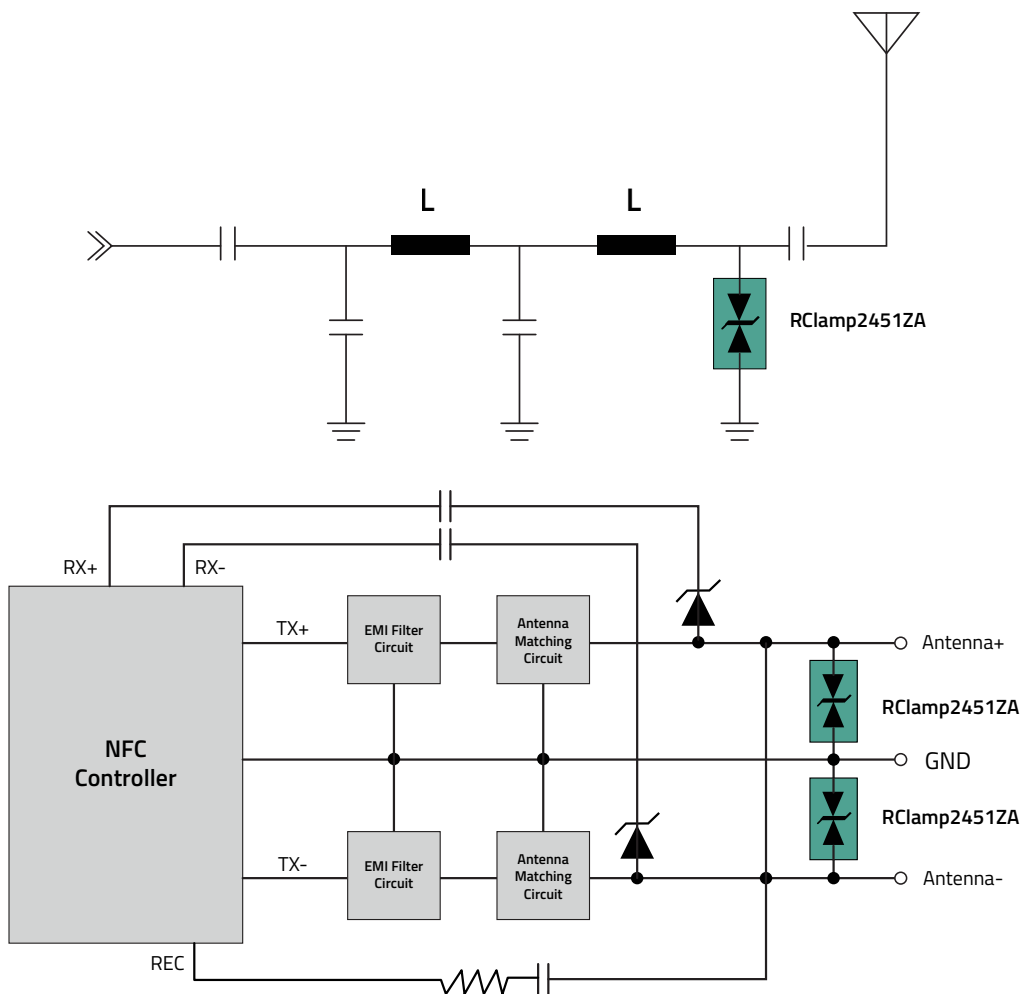
Antenna protection solutions featuring industry leading clamping voltage performance, high electrostatic discharge (ESD) immunity and low capacitance Transient Voltage Suppression (TVS) arrays



High Performance

Circuit Protection – Antenna Interface

Antenna and RF interfaces are common in a wide host of electronics equipment. These antenna interfaces can be highly susceptible to ESD and overvoltage transient threats. Semtech offers ultra-low-capacitance TVS devices that will both safely arrest dangerous transient spikes while also presenting minimal capacitance to not compromise the RF signal integrity.



Antenna Protection

Part Number	VRWM (V)	Lines	ESD Rating (contact/air)	Surge (8x20μs)	Cap (pF)(max)	Package (mm)
RClamp3331Z2C	3.3	1	18kV / 22kV	4A	0.45	0.43 x 0.23 x 0.15
RClamp3331PQ	3.3	1	30kV / 30kV	10A	0.38	1.0 x 0.6 x 0.5
RClamp3631P	3.6	1	30kV / 30kV	10A	0.38	1.0 x 0.6 x 0.5
RClamp0521ZA	5	1	17kV / 25kV	2A	0.50	0.6 x 0.3 x 0.25
RClamp0531T	5	1	12kV / 20kV	4A	0.80	1.0 x 0.6 x 0.4
RClamp0531TQ	5	1	12kV / 20kV	4A	1.50	1.0 x 0.6 x 0.4
RClamp0551P	5	1	17kV / 17kV	3A	0.50	1.0 x 0.6 x 0.5
RClamp0551PQ	5	1	25kV / 25kV	3A	0.50	1.0 x 0.6 x 0.5
RClamp5011ZA	5	1	15kV / 18kV	4A	0.45	0.6 x 0.3 x 0.25
RClamp5031ZA	5	1	17kV / 24kV	4A	0.45	0.6 x 0.3 x 0.25
RClamp0561PQ	5.5	1	15kV / 18kV	2A	0.18	1.0 x 0.6 x 0.5
RClamp0822B	8	2	30kV / 30kV	7A	0.80	1.6 x 1.6 x 0.6
RClamp0821ZA	8	1	17kV / 25kV	2A	0.50	0.6 x 0.3 x 0.25
RClamp1521ZA	15	1	10kV / 15kV	3A	0.45	0.6 x 0.3 x 0.25
RClamp1521PQ	15	1	8kV / 15kV	4A	0.50	1.0 x 0.6 x 0.5
RClamp1561PQ	15	1	10kV / 15kV	2A	0.30	1.0 x 0.6 x 0.5
RClamp1631PQ	16	1	30kV / -	10A	0.40	1.6 x 1.0 x 0.53
RClamp1851ZA	18	1	17kV / 20kV	3A	0.45	0.6 x 0.3 x 0.25
RClamp1851PQ	18	1	17kV / 20kV	4A	0.45	1.0 x 0.6 x 0.5
RClamp2261ZA	22	1	25kV / 30kV	18A	0.50	0.6 x 0.3 x 0.25
RClamp2431T	24	1	8kV / 13kV	2A	0.50	1.0 x 0.6 x 0.4
RClamp2451P	24	1	18kV / 10kV	4A	0.45	1.0 x 0.6 x 0.55
RClamp2451ZA	24	1	14kV / 18kV	4A	0.45	0.6 x 0.3 x 0.25
RClamp2431TQ	24	1	15kV / 15kV	2A	0.50	1.0 x 0.6 x 0.4
RClamp2831PQ	28	1	30kV / 30kV	7A	0.40	1.6 x 1.0 x 0.53



For a detailed list of sales representatives
in your area please visit [semtech.com/sales](https://www.semtech.com/sales)

Semtech is a leader in Transient Voltage Suppression (TVS) protection solutions. Semtech TVS devices safeguard electronics systems against damage or latch-up caused by electrostatic discharge (ESD), lightning (surge), and other destructive voltage transients. Our circuit protection devices feature low clamping voltage, low capacitance, and low leakage current.



Semtech Corporation is a leading global supplier of high performance analog and mixed-signal semiconductors and advanced algorithms for infrastructure, high-end consumer and industrial equipment. Products are designed to benefit the engineering community as well as the global community. The Company is dedicated to reducing the impact it, and its products, have on the environment. Internal green programs seek to reduce waste through material and manufacturing control, use of green technology and designing for resource reduction. Publicly traded since 1967, Semtech is listed on the NASDAQ Global Select Market under the symbol SMTC. For more information, visit www.semtech.com.

200 Flynn Road, Camarillo, California 93012 | 805-498-2111

semtech.com |     Find us, like us, follow us